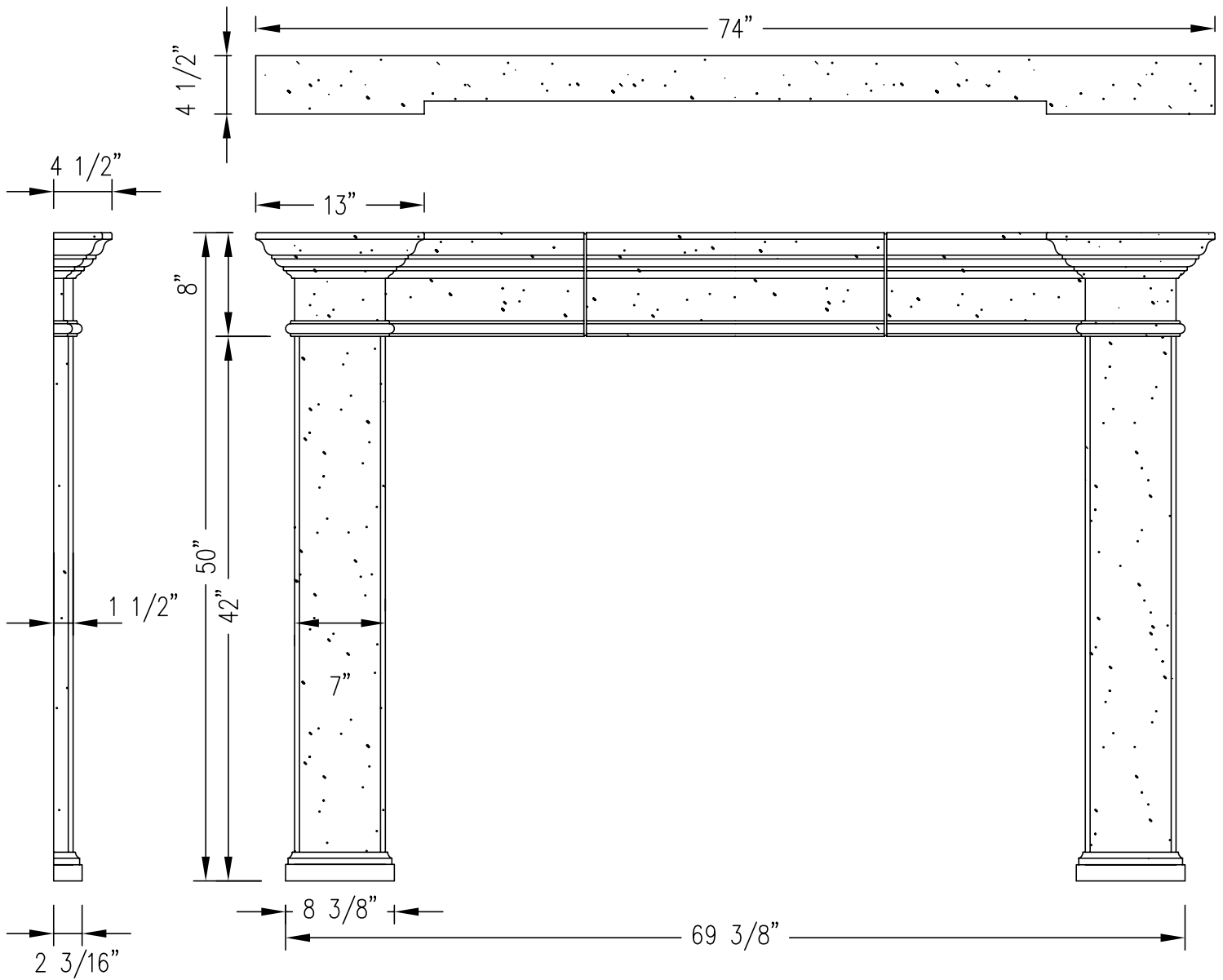


Beam Overmantel 4132-TC Noncombustible Fireplace Overmantel Fact Sheet



FEATURES AND SPECIFICATIONS

Material meets the requirements for non-combustibility in accordance with ASTM E-136

- High definition, crisp details
- Adjustable height
- Fast, easy installation
- Material is sealed from the factory and requires no further finishing
- Supplied in 3 pieces
- Net weights:
 - Complete overmantel: 40 lbs
 - Overmantel leg: 10 lbs
 - Overmantel header: 20 lbs
- Boxed weight: 45 lbs

All dimensions & weights are approximate

DO NOT SCALE

Copyright (c) 2005 Architectural Moldings Ltd.
Information contained in this drawing shall not be copied or used without the express permission of Architectural Moldings Ltd.

Date: Aug. 25, 2005